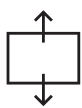
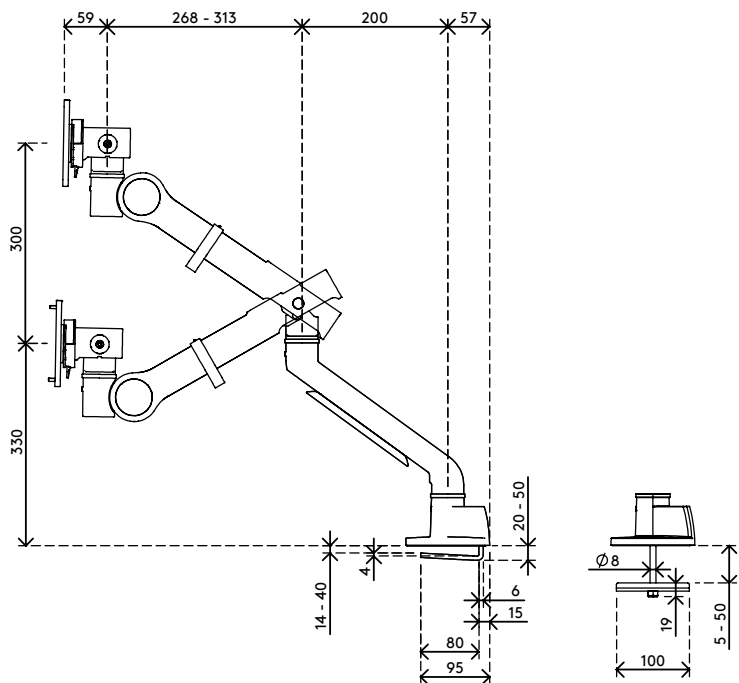
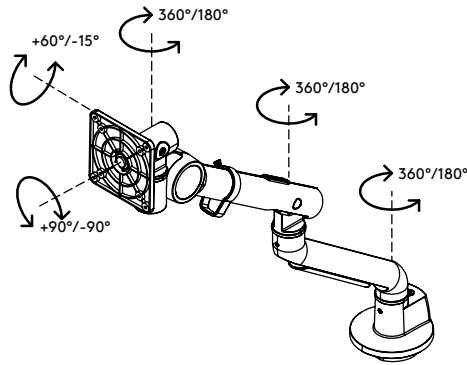
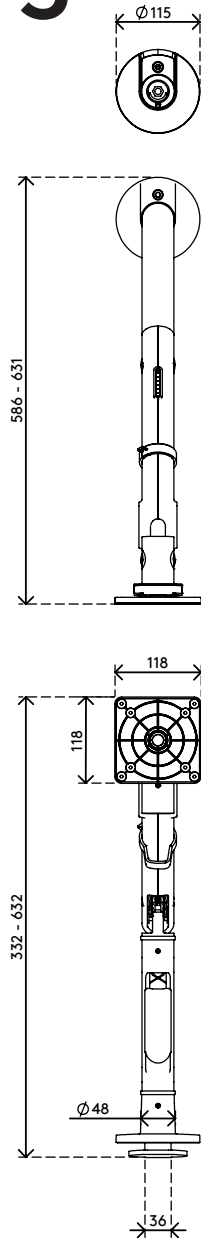


Viewgo Pro Single Monitor Arm

The ideal solution for an ergonomic workplace. Increase employee productivity and well-being, while freeing up valuable desk space and promoting a clean desk policy. Viewgo Pro meets all ergonomic standards, has a beautiful design and is also attractively priced. Easy to install and suitable for virtually all desks thanks to its top access clamp.

- Dynamic height adjustment of 300 mm (11,8")
- Independent depth adjustment
- Fitted with a lifetime warranty adjustable tension spring
- Fitted with cable clips to guide cables tidily
- Main components made of aluminium
- Standard VESA quick release
- Compatible with VESA MIS-D 75 x 75/100 x 100 mm
- Monitor: tilt +60°/-15°, swivel +90°/-90°, rotate +90°/-90°
- Arm: swivel 360°
- Arm swivel lock set at +90°/-90° (can be switched off)
- Weight capacity min. 2 kg - max. 9 kg per monitor (4,4 - 19,8 lb)
- Equipped with desk clamp mount (top access clamp) and desk outlet mount
- Suitable for desktop thicknesses from 14 to 40 mm (0,6 - 1,57") (clamp) or 60 mm (2,36") (grommet)
- Maximum monitor size: height 1000 mm (39,4")
- Sturdy, scratch-free attachment to any surface thanks to protective rubber anti-slip coating
- Easy installation with the tools provided
- Supports monitors in portrait and landscape mode
- Tension gauge ensures easy monitor setup

viewgo



300 mm (11,8")



$+60^\circ/-15^\circ$



$+90^\circ/-90^\circ$



$+90^\circ/-90^\circ$



1000 mm (39,4")



75 x 75/100 x 100



2 kg - 9 kg (4,4 - 19,8 lb)

Viewgo pro monitor arm - desk 623

2023/08/08

48.623

 760 x 150 x 120mm

 1 pcs

 black

 4,16 kg

 805410486235