



CrestlineTM
Furniture Systems

U.R

Specification Guide

U.R

Flexible, versatile and environmentally-friendly...
U.R is the smarter choice.

An environmentally considered table system, U.R draws on Life Cycle Assessments (LCA) to determine the most appropriate materials, and Finite Element Analysis (FEA) to ensure the strongest structure while eliminating waste. Skilfully designed for 100% disassembly, U.R is all ready for recycling.

U.R

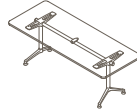
Round/Square

6 – 10



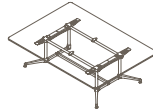
Meeting Tables

11 – 13



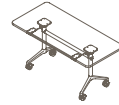
Multi-Leg

14 – 15



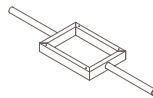
Folding

16



Features

17 – 18





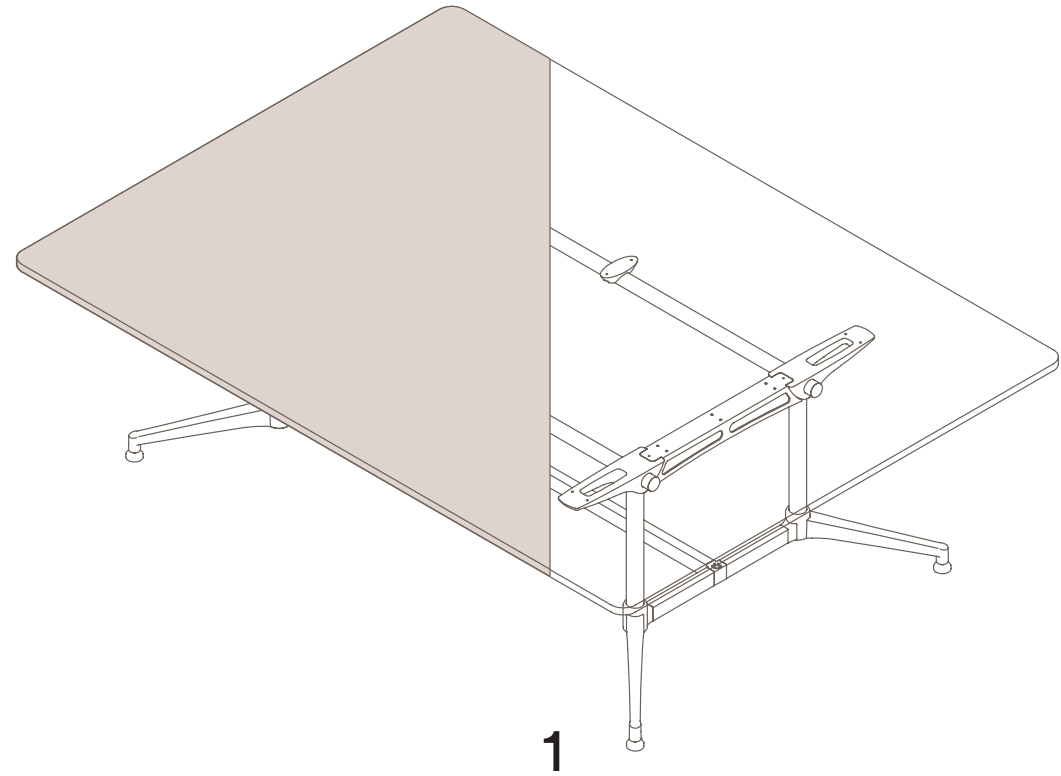
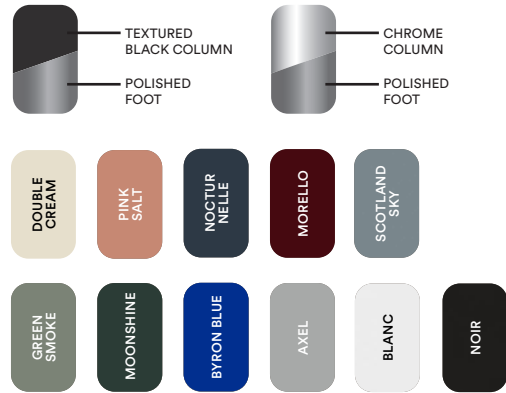
A technical line drawing of a desk assembly. The desk features a large, flat rectangular top. A central vertical pedestal supports the desk surface. Two adjustable arms extend from the pedestal, each ending in a horizontal bar with a handle-like grip. The arms are connected to the pedestal via a complex joint mechanism. The desk is supported by a four-legged base, with one leg ending in a castor wheel. The drawing is composed of clean black lines on a white background.

U.R

Table Finishes

1. Frame Finishes

Standard U.R frame finishes include black or chrome legs with a polished foot. U.R is also available in our current season powdercoat colours listed, with custom colour optional.



Colours are representative only, please check with your Thinking Works consultant to view samples of any specific colour.

Tables

Round / Square

Materials Information

Leg Finish

Steel Leg Column

- a. Textured Black (standard)
- b. Chrome (standard)
- c. Blanc
- d. Noir
- e. Double Cream
- f. Pink Salt
- g. Nocturnelle
- h. Morello
- i. Scotland Sky
- j. Green Smoke
- k. Moonshine
- l. Byron Blue
- m. Axel

Foot Finish

Aluminium Foot

- a. Polished (standard)
- b. Powdercoat (to match column)

Frame Finish

Steel Top Horn

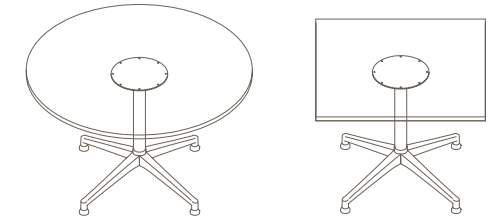
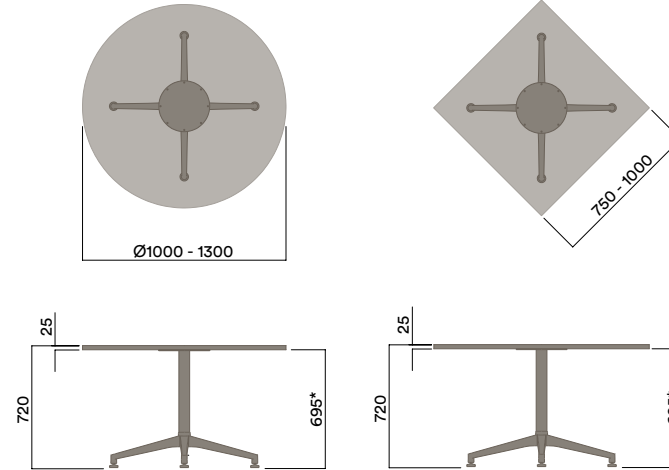
- a. Black Powdercoat

* Maximum Custom Height 1000mm on Glides
900mm on Castors

Maximum inc. worktop 40kg
Maximum Point Load 50kg
Seats 4

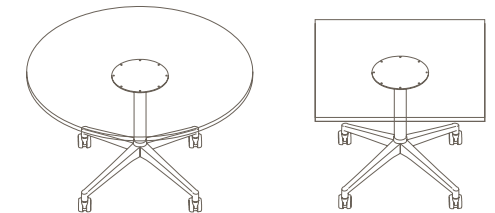
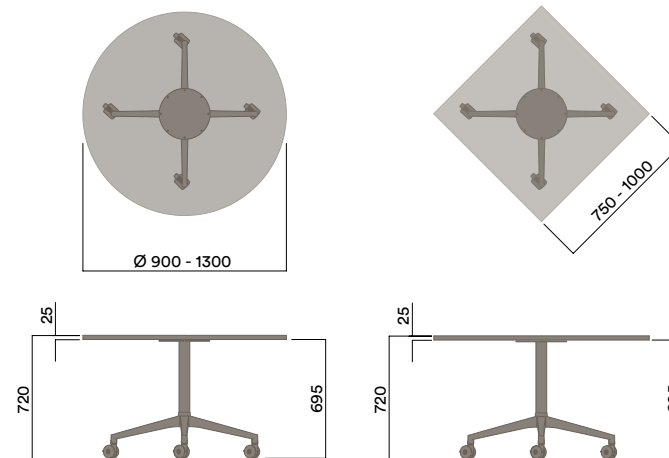
CN-1020

720 (standard Height)



CN-1021 Castors

720 (standard Height)



Tables

Round / Square

Materials Information

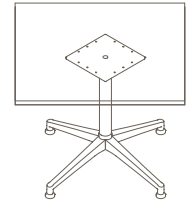
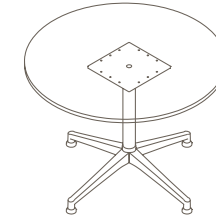
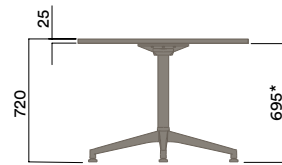
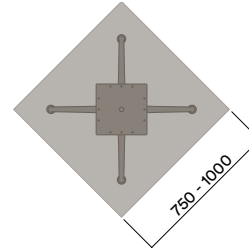
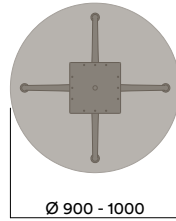
Leg Finish

Steel Leg Column

- a. Textured Black (standard)
- b. Chrome (standard)
- c. Blanc
- d. Noir
- e. Double Cream
- f. Pink Salt
- g. Nocturnelle
- h. Morello
- i. Scotland Sky
- j. Green Smoke
- k. Moonshine
- l. Byron Blue
- m. Axel

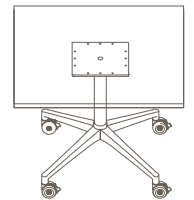
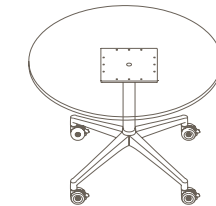
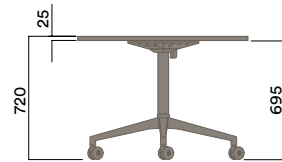
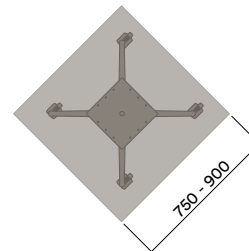
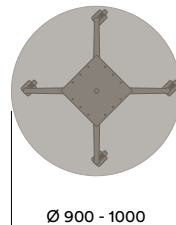
CN-1025 Folding

720 (standard Height)



CN-1026 Folding on Castors

720 (standard Height)



Foot Finish

Aluminium Foot

- a. Polished (standard)
- b. Powdercoat (to match column)

* Maximum Custom Height 1000mm on Glides
900mm on Castors

Maximum inc. worktop 40kg
Maximum Point Load 50kg
Seats 2-4

Tables

Round / Square

Materials Information

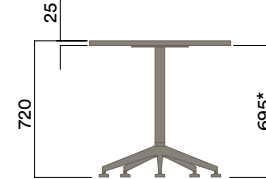
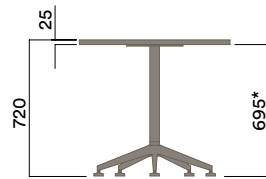
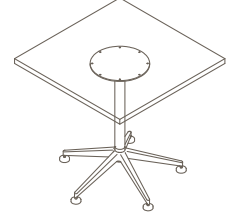
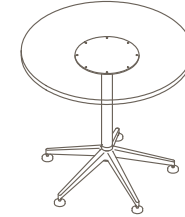
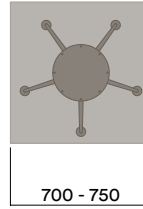
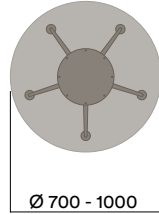
Leg Finish

Steel Leg Column

- a. Textured Black (standard)
- b. Chrome (standard)
- c. Blanc
- d. Noir
- e. Double Cream
- f. Pink Salt
- g. Nocturnelle
- h. Morello
- i. Scotland Sky
- j. Green Smoke
- k. Moonshine
- l. Byron Blue
- m. Axel

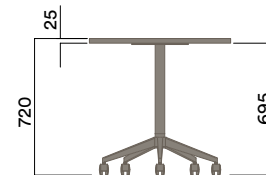
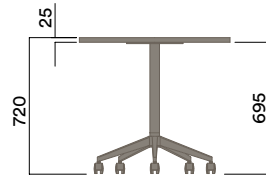
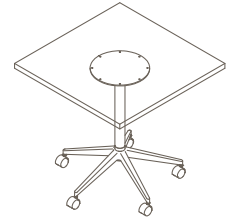
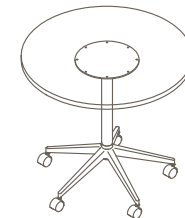
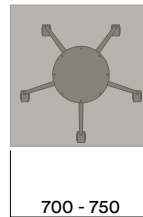
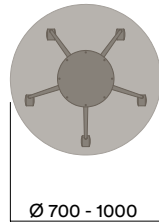
CN-1030

720 (standard Height)



CN-1031 on Castors

720 (standard Height)



Foot Finish

Aluminium Foot

- a. Polished (standard)
- b. Powdercoat (to match column)

Frame Finish

Steel Top Horn

- a. Black Powdercoat

* Maximum Custom Height 695mm
 Maximum inc. worktop 20kg
 Maximum Point Load 30kg
 Seats 4

Tables

Round / Square

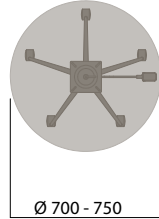
Materials Information

Leg Finish

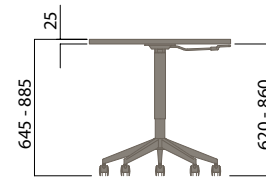
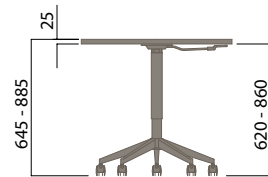
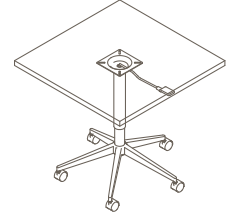
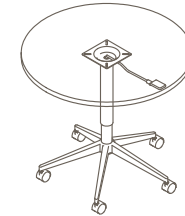
Steel Leg Column

- a. Textured Black (standard)
- b. Chrome (standard)
- c. Blanc
- d. Noir
- e. Double Cream
- f. Pink Salt
- g. Nocturnelle
- h. Morello
- i. Scotland Sky
- j. Green Smoke
- k. Moonshine
- l. Byron Blue
- m. Axel

CN-1032 Castors



Gas Lift Height Adjustable

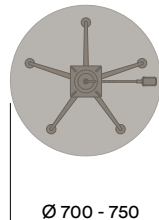


CN-1033

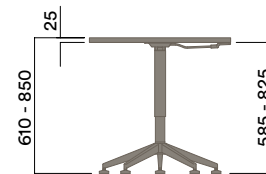
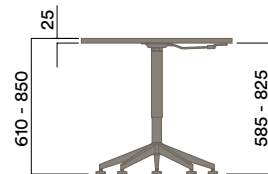
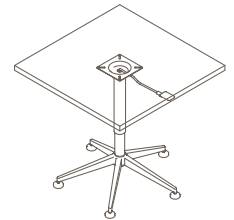
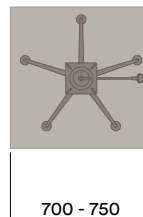
Foot Finish

Aluminium Foot

- a. Polished (standard)
- b. Powdercoat (to match column)



Gas Lift Height Adjustable



Maximum inc. worktop 20kg
 Maximum Point Load 30kg
 Seats 4

Tables

Round / Square

Materials Information

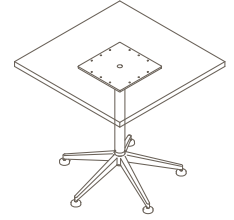
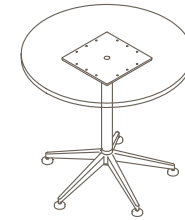
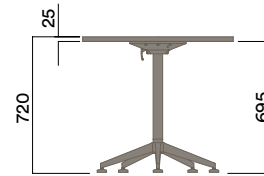
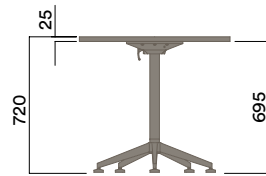
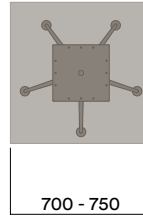
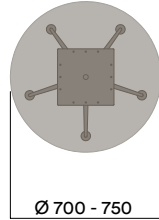
Leg Finish

Steel Leg Column

- a. Textured Black (standard)
- b. Chrome (standard)
- c. Blanc
- d. Noir
- e. Double Cream
- f. Pink Salt
- g. Nocturnelle
- h. Morello
- i. Scotland Sky
- j. Green Smoke
- k. Moonshine
- l. Byron Blue
- m. Axel

CN-1035 Folding

720 (standard Height)



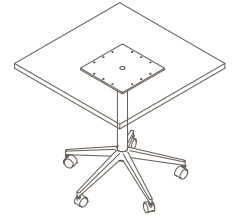
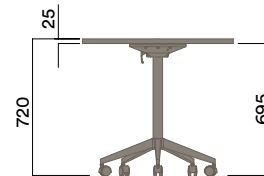
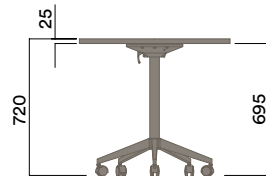
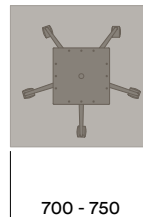
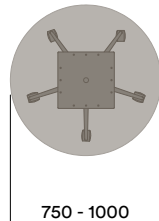
CN-1036 Folding on Castors

720 (standard Height)

Foot Finish

Aluminium Foot

- a. Polished (standard)
- b. Powdercoat (to match column)



Maximum inc. worktop 20kg
 Maximum Point Load 30kg
 Seats 4

Tables

Rectangle

Materials Information

Leg Finish

Steel Leg Column

- a. Textured Black (standard)
- b. Chrome (standard)
- c. Blanc
- d. Noir
- e. Double Cream
- f. Pink Salt
- g. Nocturnelle
- h. Morello
- i. Scotland Sky
- j. Green Smoke
- k. Moonshine
- l. Byron Blue
- m. Axel

Foot Finish

Aluminium Foot

- a. Polished (standard)
- b. Powdercoat (to match column)

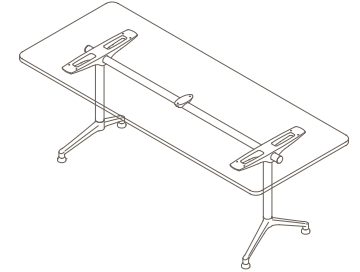
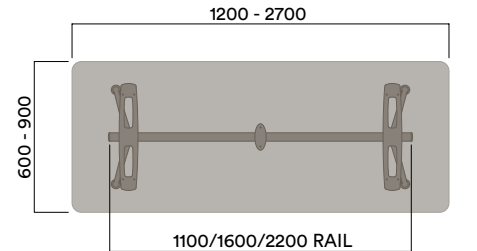
Frame Finish

Polished Aluminium Top Horn
Steel Black Powdercoat Rails

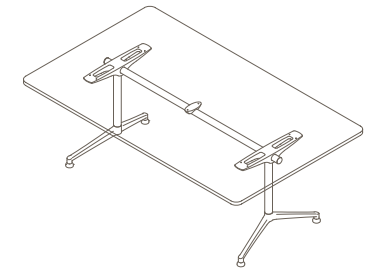
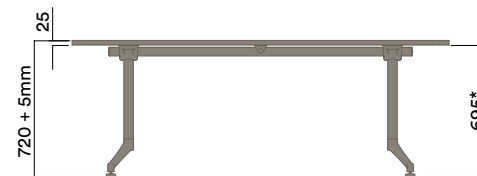
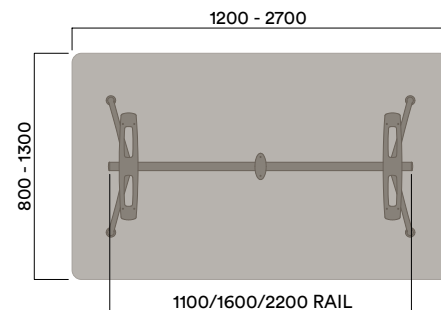
* Maximum Custom Height 1000mm on Glides
900mm on Castors

Maximum inc. worktop 100kg
Maximum Point Load 50kg
Seats 4-6

CN-1000, CN-1001, CN-1002 720 (standard Height)



CN-1010, CN-1011, CN-1012 720 (standard Height)



Tables Rectangle

Materials Information

Leg Finish

Steel Leg Column

- a. Textured Black (standard)
- b. Chrome (standard)
- c. Blanc
- d. Noir
- e. Double Cream
- f. Pink Salt
- g. Nocturnelle
- h. Morello
- i. Scotland Sky
- j. Green Smoke
- k. Moonshine
- l. Byron Blue
- m. Axel

Foot Finish

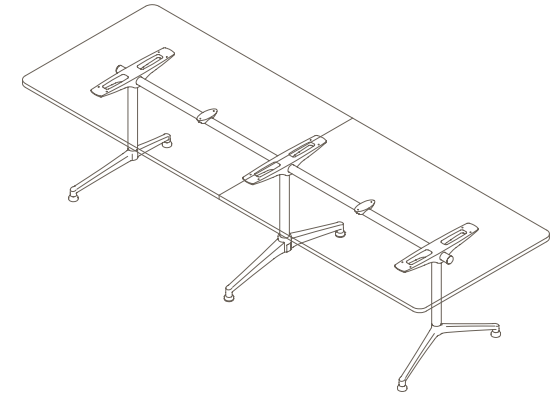
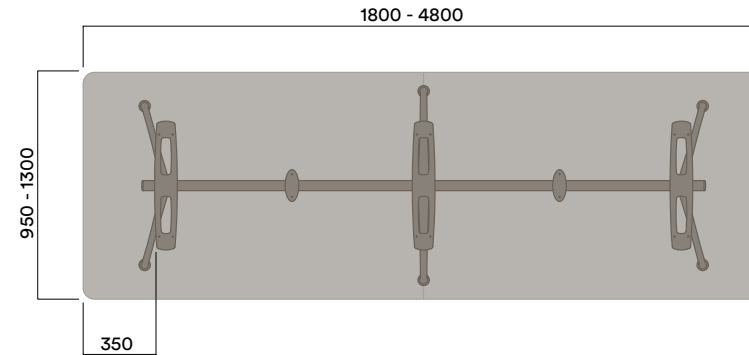
Aluminium Foot

- a. Polished (standard)
- b. Powdercoat (to match column)

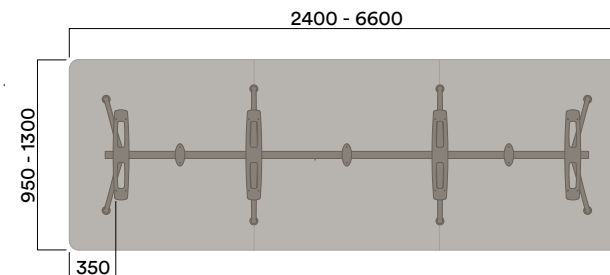
Frame Finish

Polished Aluminium Top Horn
Steel Black Powdercoat Rails

CN-1040



CN-1041



* Maximum Custom Height	1000mm
Maximum inc. worktop	130kg
Maximum Point Load	50kg
Seats	6-18

Tables Boatshape

Materials Information

Leg Finish

Steel Leg Column

- a. Textured Black (standard)
- b. Chrome (standard)
- c. Blanc
- d. Noir
- e. Double Cream
- f. Pink Salt
- g. Nocturnelle
- h. Morello
- i. Scotland Sky
- j. Green Smoke
- k. Moonshine
- l. Byron Blue
- m. Axel

Foot Finish

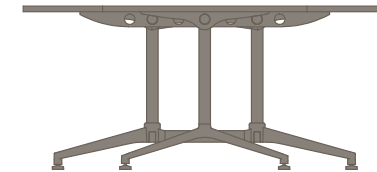
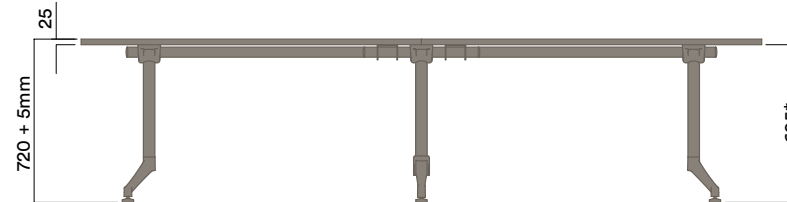
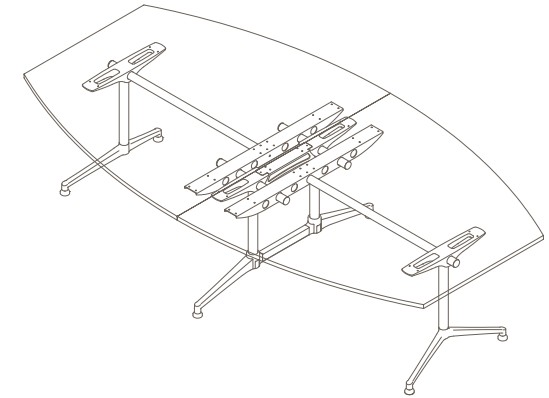
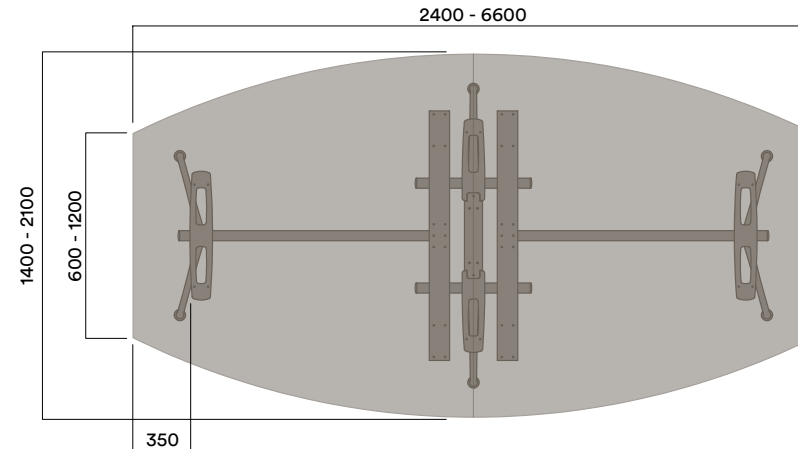
Aluminium Foot

- a. Polished (standard)
- b. Powdercoat (to match column)

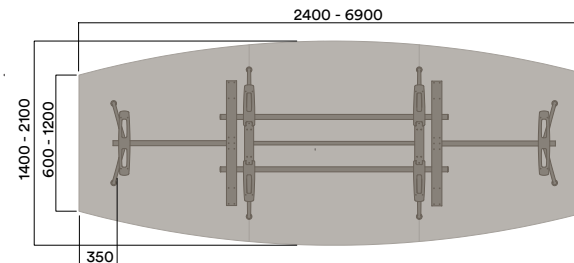
Frame Finish

Polished Aluminium Top Horn
Steel Black Powdercoat Rails

CN-1044



CN-1046



* Maximum Custom Height	1000mm
Maximum inc. worktop	160kg
Maximum Point Load	50kg
Seats	6-18

Tables

Round/Square

Materials Information

CN-1070

Leg Finish

Steel Leg Column

- a. Textured Black (standard)
- b. Chrome (standard)
- c. Blanc
- d. Noir
- e. Double Cream
- f. Pink Salt
- g. Nocturnelle
- h. Morello
- i. Scotland Sky
- j. Green Smoke
- k. Moonshine
- l. Byron Blue
- m. Axel

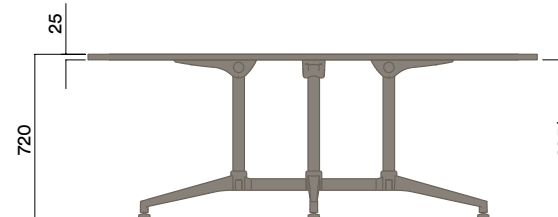
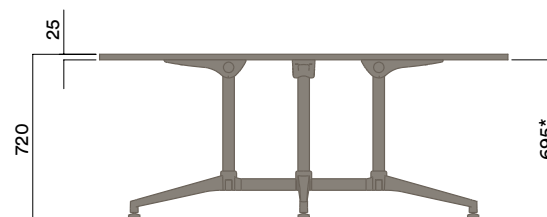
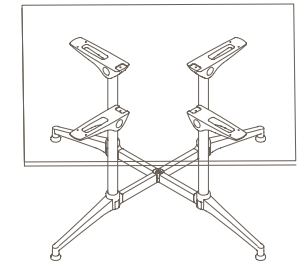
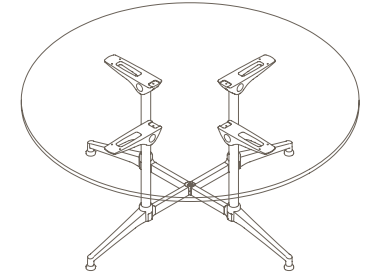
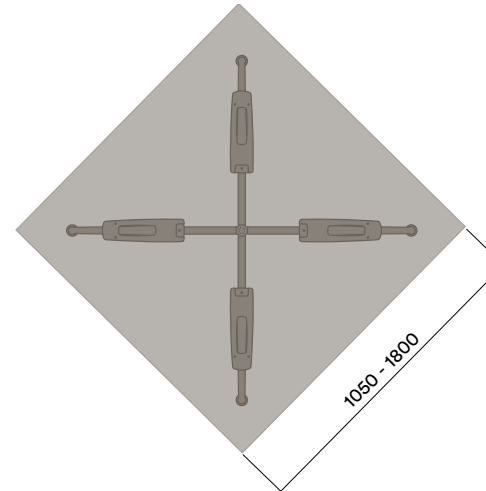
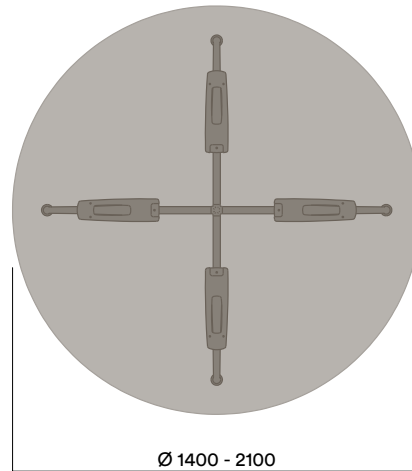
Foot Finish

Aluminium Foot

- a. Polished (standard)
- b. Powdercoat (to match column)

Frame Finish

Polished Aluminium Top Horn



* Maximum Custom Height 1000mm
 Maximum inc. worktop 80kg
 Maximum Point Load 50kg
 Seats 4-6

Multi-Leg Rectangle

Materials Information

Leg Finish

Steel Leg Column

- a. Textured Black (standard)
- b. Chrome (standard)
- c. Blanc
- d. Noir
- e. Double Cream
- f. Pink Salt
- g. Nocturnelle
- h. Morello
- i. Scotland Sky
- j. Green Smoke
- k. Moonshine
- l. Byron Blue
- m. Axel

Foot Finish

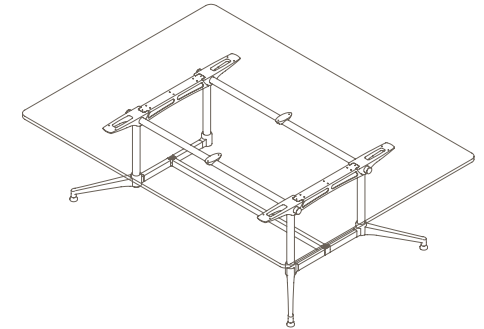
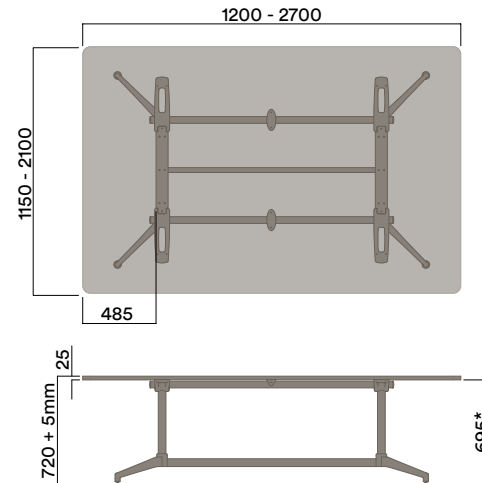
Aluminium Foot

- a. Polished (standard)
- b. Powdercoat (to match column)

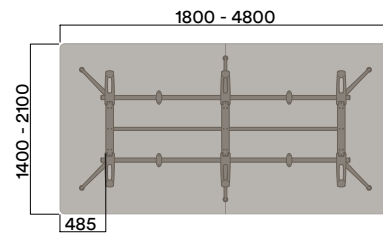
Frame Finish

Polished Aluminium Top Horn
Steel Black Powdercoat Rails

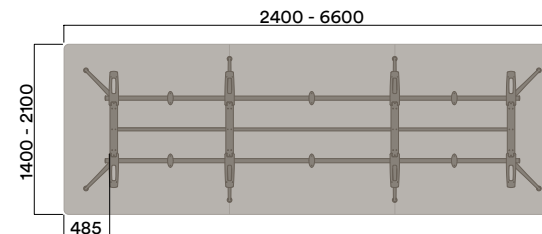
CN-1050 4 Leg



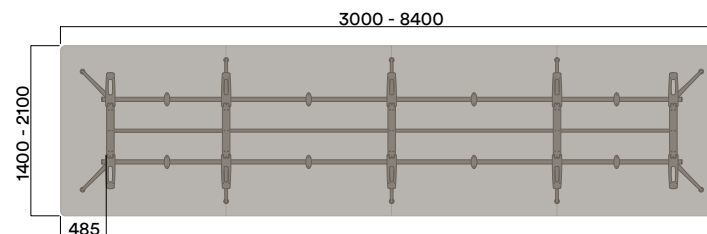
CN-1051 6 Leg



CN-1052 8 Leg



CN-1053 10 Leg



* Maximum Custom Height	1000mm
Maximum inc. worktop	160kg
Maximum Point Load	50kg
Seats	4-24

Tables Folding

Materials Information

Leg Finish

Steel Leg Column

- a. Textured Black (standard)
- b. Chrome (standard)
- c. Blanc
- d. Noir
- e. Double Cream
- f. Pink Salt
- g. Nocturnelle
- h. Morello
- i. Scotland Sky
- j. Green Smoke
- k. Moonshine
- l. Byron Blue
- m. Axel

Foot Finish

Aluminium Foot

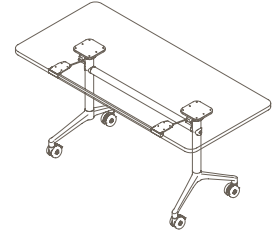
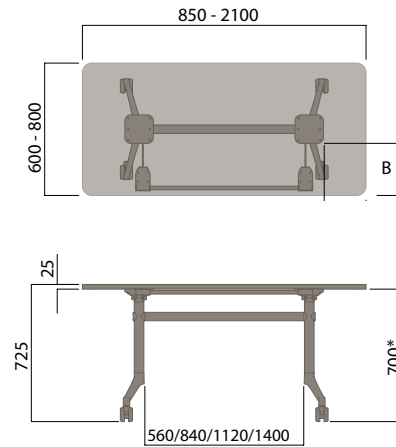
- a. Polished (standard)
- b. Powdercoat (to match column)

* Maximum Custom Height 1000mm on Glides
900mm on Castors

Maximum inc. worktop 24kg
Maximum Point Load 30kg
Seats 1-6

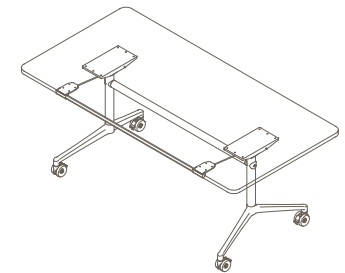
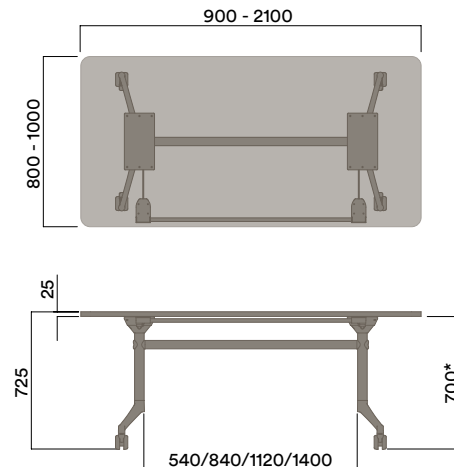
CN-1080 , CN-1082, CN-1084, CN-1086

725 (standard Height)



CN-1081, CN-1083, CN-1085, CN-1087

725 (standard Height)



Tables Features

Materials Information

Frame Finish

Steel Slingshot

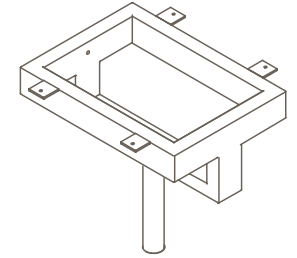
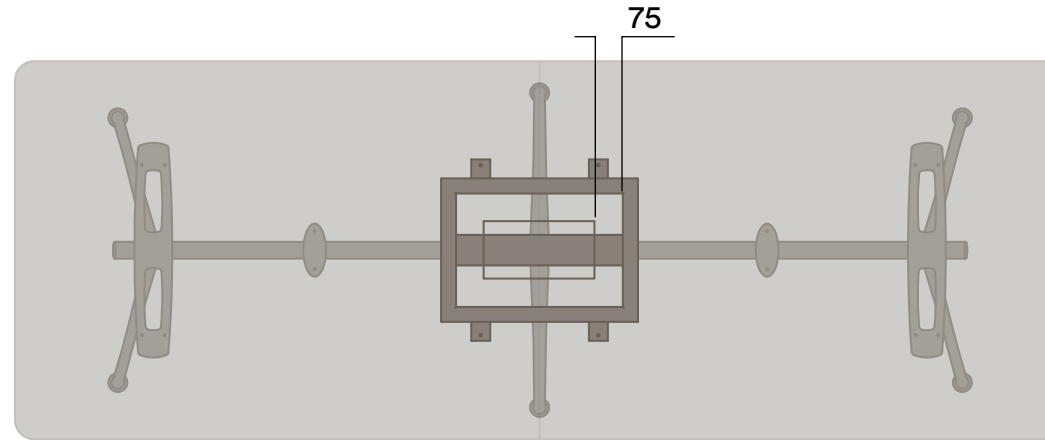
a. Powdercoat (to match frame)

Steel Power/Data Beam

a. Black Powdercoat

Powerbox Management

Slingshot



Powerbox Slingshot

Suitable for CN-1040 and CN-1041 table frames

Replaces U.R leg column to provide placement of powerboxes without frame interference

Made to order to cater for specified powerbox requirements and size

Provides 75mm clearance around powerbox to ensure fitment without frame interference

Power/Data Beam

Suitable for CN-1000, CN-1001 and CN-1002 frames

Suitable for CN-1010, CN-1011 and CN-1012 frames

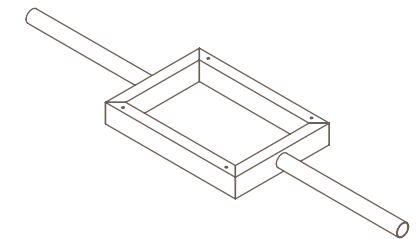
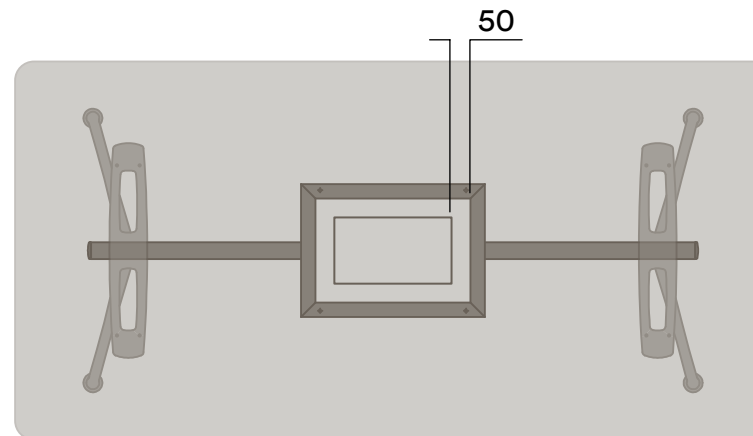
Replaces central rail to provide placement of powerboxes without frame interference

Made to order to cater for specified powerbox requirements and size

Provides 50mm clearance around powerbox to ensure fitment without frame interference

Powerbox Management

Power/Data Beam



Tables Features

Materials Information

Frame Finish

Steel Multi-Leg Spacer

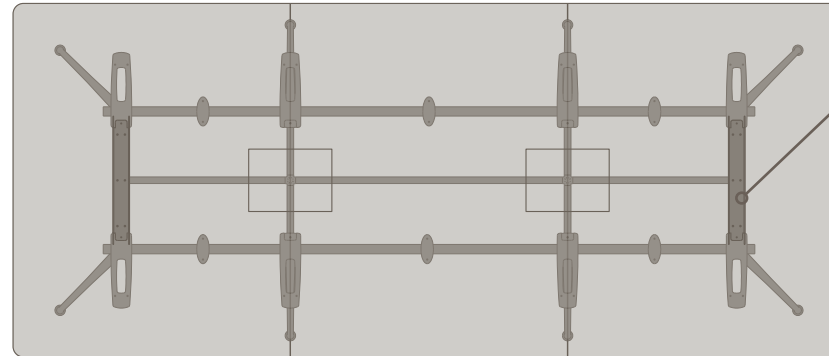
a. Black Powdercoat

Steel Outrigger

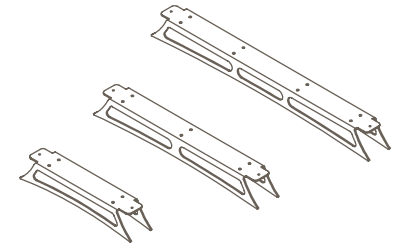
a. Black Powdercoat

Powerbox Management

Multi-Leg Spacers

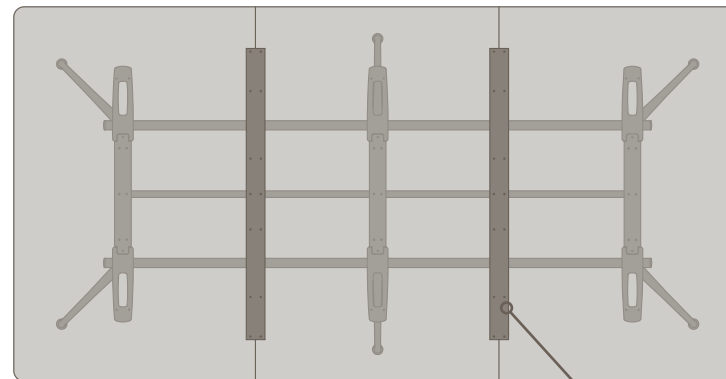


Multileg Spacer

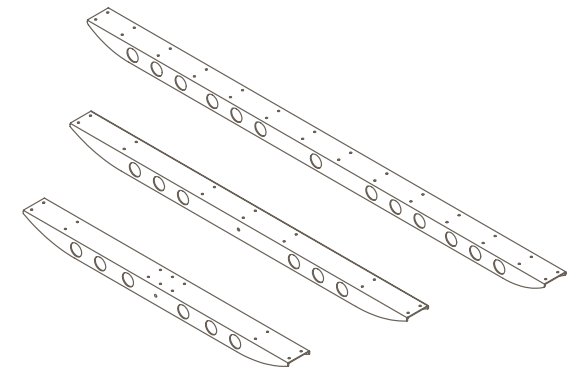


Worktop Management

Outriggers



Outrigger



Multi-leg Spacers

Provided with frame, spacers can be removed on-site to provide placement of powerboxes without frame interference

Applies to all Multi-Leg Rectangle Frames

Outriggers

Additional Outriggers can be purchased to provide adequate worktop support on odd worktop splits

Outriggers available to suit SML, MED and LRG width Multi-Leg frames



Specification

If you would like a sample set of any of our finishes, please call us on 61 (0)2 9726 7177 or e-mail at sales@thinkingw.com.

Due to our policy of continuous product development, specifications and finishes may change without prior notice.

Sustainability Policy

We realise the importance of responsible business practices and have in place numerous product and company sustainability certifications. We would encourage you to download our annual Sustainability Report from the Thinking Works website to get a full overview of our sustainability program.

Thinking Works
© Copyright 2020
All right reserved

Thinking Works
15-23 Helles Avenue
Moorebank
New South Wales 2170

www.thinkingw.com
61 (0)2 9726 7177
sales@thinkingw.com