



TECHNICAL SPECIFICATION SHEET

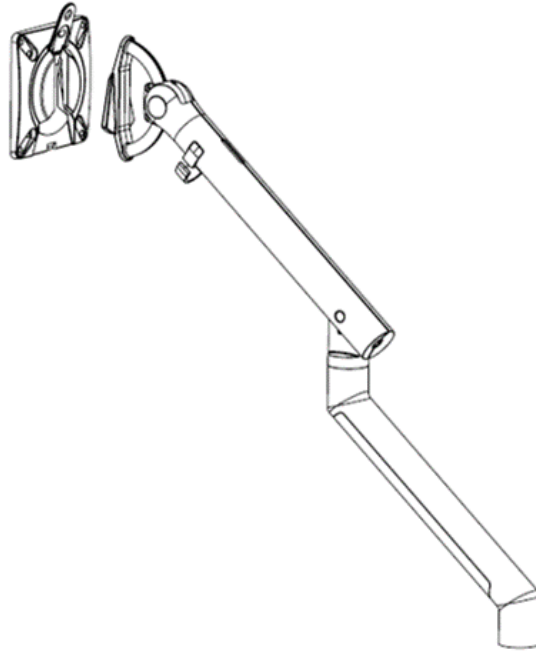
PRODUCT NAME: Flo Dynamic Monitor Arm

PRODUCT CODE: DYN/013/010

Doc Rev 5.

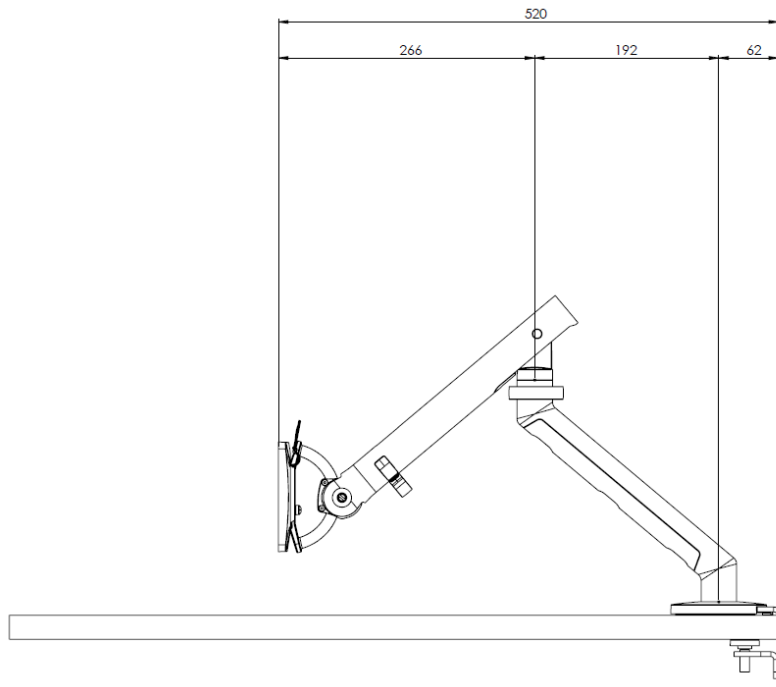
Product Rev: #G

03.02.20. CF

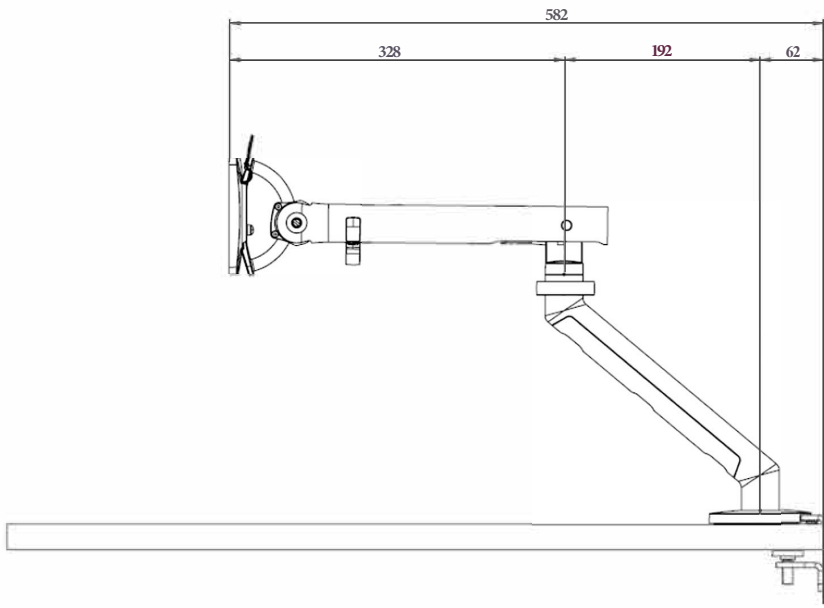


Maximum Reach Dimensions

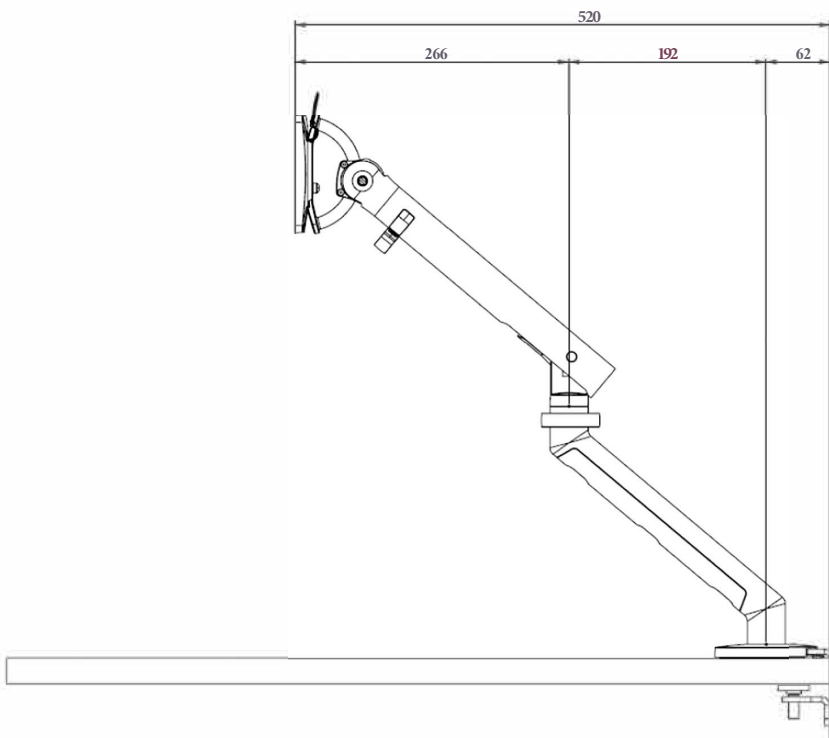
Lowest Position



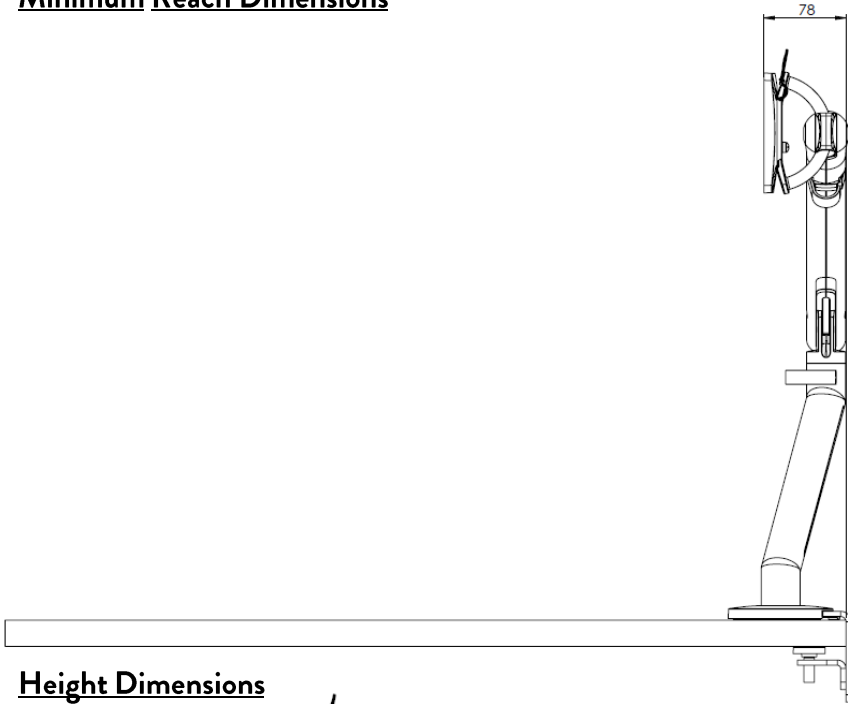
Mid Position



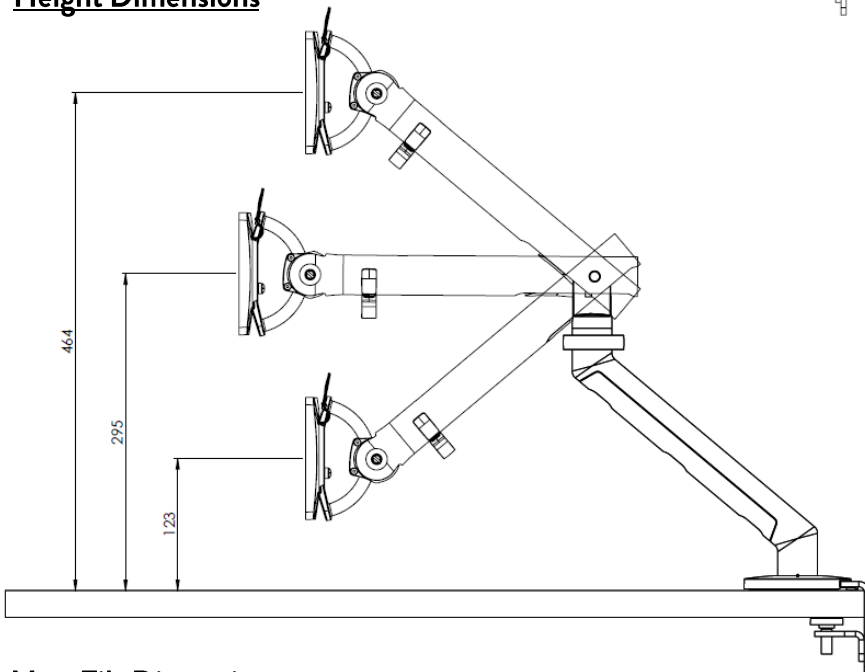
Highest Position



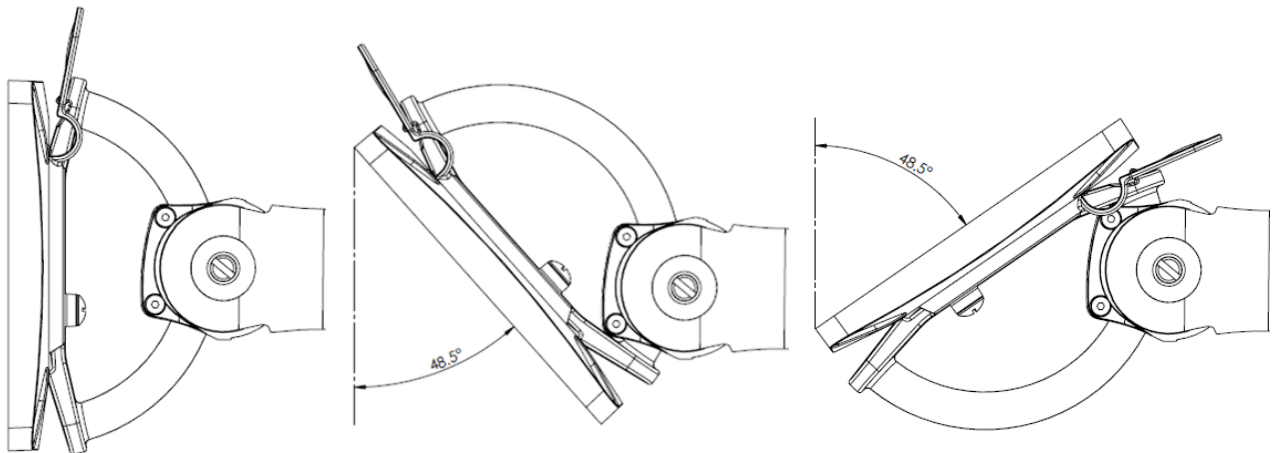
Minimum Reach Dimensions



Height Dimensions



Vesa Tilt Dimensions



KEY FEATURES

- Award-winning aesthetic design and functionality
- Smooth, dynamic movement through its patented Flo Spring Technology
- Unique head design provides unrivalled degree of flexibility for tablets and touch screens
- Weight gauge reduces installation time and provides consistent performance
- Integrated three-point cable management system
- Minimal environmental impact
- Portrait / landscape screen mounting
- Also available in a 'Bulk Pack' option in selected regions only (pack of 10)

Load Range	3 to 9kg
Tilt range	48.5° upwards, 48.5° downwards
Horizontal Range	458mm
Vertical Range	341mm
Recycled content	55.7%
Total product recyclable	100%

LOGISTICAL

Box contains	Arm & Quick Release Mount Plate (incl. Vesa screw pack), cable clip, Allen Key, instructions
Product net weight:	1.8 kg
Box dims	130 x 90 x 671 mm
Box gross weight	1.9 kg
Master carton quantity	6
Master carton dims	275 x 295 x 690 mm
Master carton weight	13.3 kg
Country of origin	China

Bulk Pack (Pack of 10 - Selected Regions)

Box contains	10 x Arms, 10 x Quick Release Mount Plate (incl. Vesa screw packs), 10 x cable clip, 1 x Allen Key, 1 x Instructions
Master carton dims	275 x 260 x 700 mm
Master carton weight	20.5 kg
Country of origin	China

ORDERING INFORMATION

<u>Product Description</u>	<u>Product Code</u>	<u>Colour</u>
Flo Dynamic Arm	DYN/013/010/S	Silver
Flo Dynamic Monitor Arm	DYN/013/010/B	Black
Flo Dynamic Monitor Arm	DYN/013/010/W	White
Flo Dynamic Arm (10 x Bulk Pack)	DYN/013/010/X10/S	Silver
Flo Dynamic Arm (10 x Bulk Pack)	DYN/013/010/X10/B	Black
Flo Dynamic Arm (10 x Bulk Pack)	DYN/013/010/X10/W	White

WARRANTY

Warranty Term Limited lifetime

COMPLIANCE & SAFETY CERTIFICATION

Whilst no mandatory standards apply to the monitor arm product sector, all Colebrook Bosson Saunders monitor arms have been designed with appropriate articulation features, dimensional range and adjustability to conform to the requirements of BS EN ISO 9241:5 1999 Ergonomic requirements for office work with visual display terminals (VDTs).

ENVIRONMENTAL

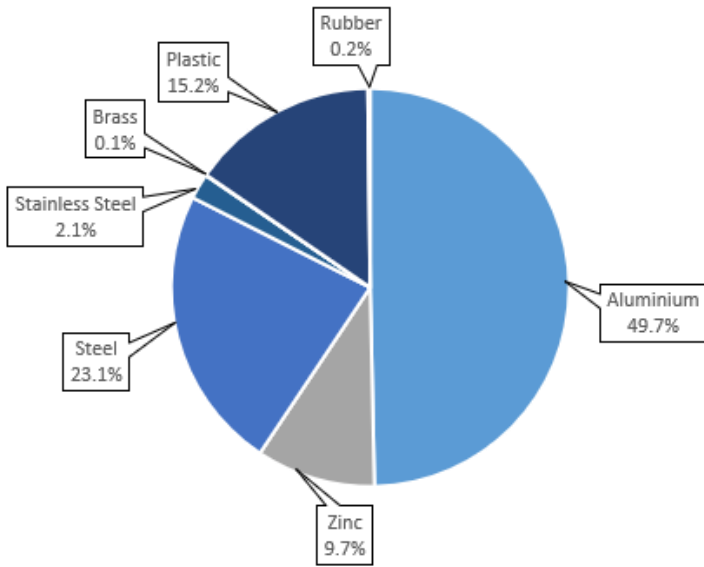
Material Make-up			Total Recycled Content	Breakdown of Recycled Content		Total Recyclable	
Overall Product			Overall Product			Overall Product	
Material type	Total Material type weight (g)	Percentage of Total Product Weight (%)	Material-Type Recycled Content (%)	Percentage PIR of total weight (%)	Percentage PCR of total weight (%)	Total Product Recyclable (g)	Total Product Recyclable (%)
Aluminium	912.0	49.7%	47.2%	25.0%	22.2%	912.0	49.7%
Zinc	178.0	9.7%	4.3%	2.1%	2.1%	178.0	9.7%
Steel	424.2	23.1%	3.0%	0.5%	2.5%	424.2	23.1%
Stainless Steel	38.0	2.1%	1.2%	0.7%	0.5%	38.0	2.1%
Brass	1.0	0.1%	0.0%	0.0%	0.0%	1.0	0.1%
Plastic	279.8	15.2%	0.0%	0.0%	0.0%	279.8	15.2%
Rubber	3.5	0.2%	0.0%	0.0%	0.0%	3.5	0.2%
Total	1836.5	100.0%	55.7%	28.4%	27.3%	1836.5	100.0%

Due to calculation rounding there may be some small variations in displayed percentage totals.

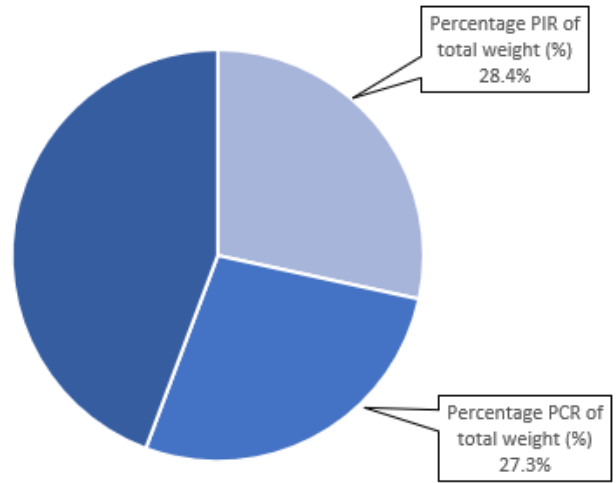
PIR = Post Industrial Recycled

PCR = Post Consumer Recycled

Total Product Weight (%)



Total Product Recycled Content (%)



CLEANING, STORAGE & MAINTENANCE

Routine servicing

Periodic inspection

Service components

Available to order

Cleaning & Maintenance

Damp cloth, no abrasives, no solvents to be used on the cosmetic surfaces

Handling & Storage

Do not drop or expose to moisture

While every effort is made to ensure the accuracy of our technical information, Colebrook Bosson Saunders (Products) Ltd accept no liability for the accuracy of the information contained in this document and reserve the right to modify the specifications or data contained herein without prior notification.