



TECHNICAL SPECIFICATION SHEET

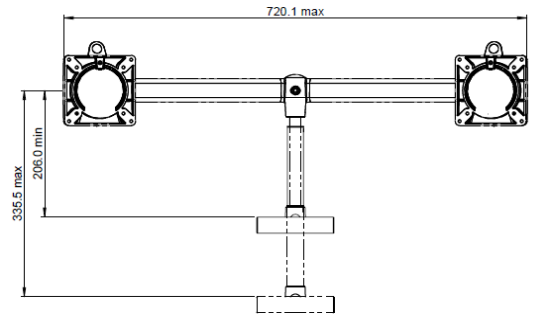
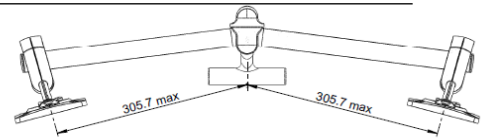
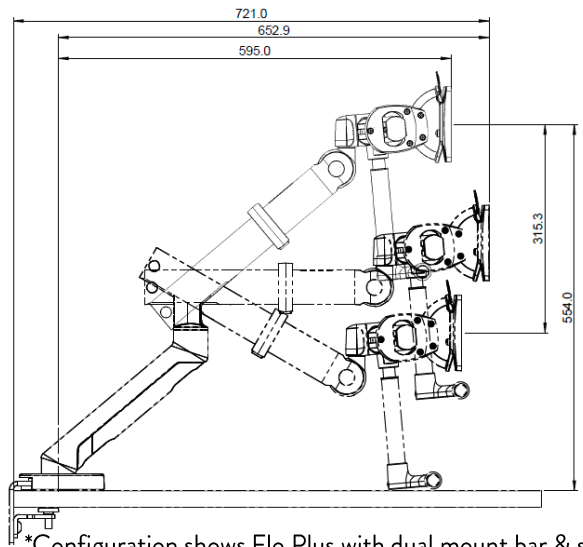
PRODUCT NAME: Flo Plus Dual Mount Bar

PRODUCT CODE: DYN/DMB/001

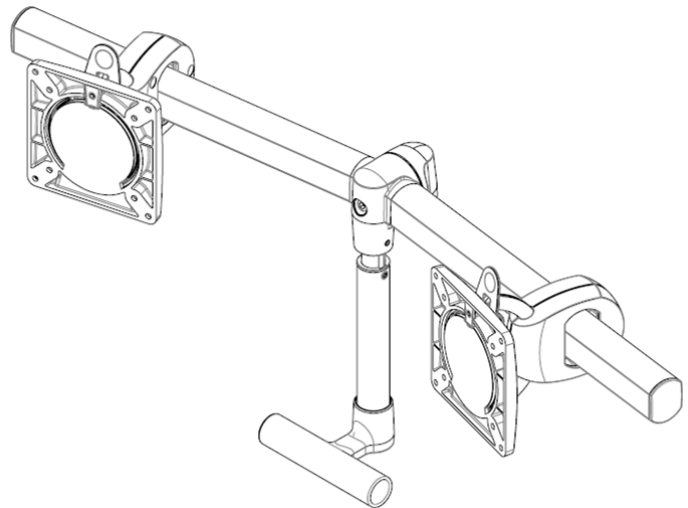
Doc Rev 3.

Product Rev #B

12.09.17 CF



*Configuration shows Flo Plus with dual mount bar & split clamp



*Note that dimensions provided are measured in mm

KEY FEATURES

- Compatible with Flo Plus Dynamic Monitor Arm.
- Mounts 2 x monitors (up to 24" size.)
- Quick-release monitor mounting.
- Self-balancing tilt adjustment & levelling of individual monitors.
- Individual fine height adjustment (12mm) to align monitors.
- Central swivel joint to level complete dual bar installation.
- Choice of 'cockpit' or flat screen configuration.
- Adjustable handle for ease of movement

Product Classification	Monitor Arms
Min to Max load	3.25kg to 8kg per screen
Max offset load	5kg max difference between monitor weights
Max monitor size	560mm wide (approx 24" diagonal screen size)
Monitor tilt range	35° upward tilt, 36° downward tilt,
Recycled content	58.62%
Total product recyclable	100%

LOGISTICAL

Box contains	Flo Plus Dual Mount Bar, handle, 2 x VESA plates, screws
Product net weight	1.9kg
Box dims (HxWxD)	125 x 170 x 740 mm
Box gross weight	2.5kg
Carton quantity	4
Master dims (HxWxD)	760 x 360 x 285 mm
Master weight	11kg
Country of origin	China
Country of configuration	UK

ORDERING INFORMATION

<u>Product Description</u>	<u>Product code</u>	<u>Colour</u>
Flo Plus Dual Mount Bar	DYN/DMB/001	:/W White

WARRANTY

Warranty Term	Limited lifetime warranty
---------------	---------------------------

COMPLIANCE & SAFETY CERTIFICATION

Whilst no mandatory standards apply to the monitor arm product sector, all Colebrook Bosson Saunders monitor arms have been designed with appropriate articulation features, dimensional range and adjustability to conform to the requirements of BS EN ISO 9241:5 1999 Ergonomic requirements for office work with visual display terminals (VDTs).

Conformance certification	BS EN ISO 9241:5 1999 Ergonomic Requirements for office work with visual display terminals (VDTs). FIRA certificate of conformance pending.
Test authority	CBS

Safety certification

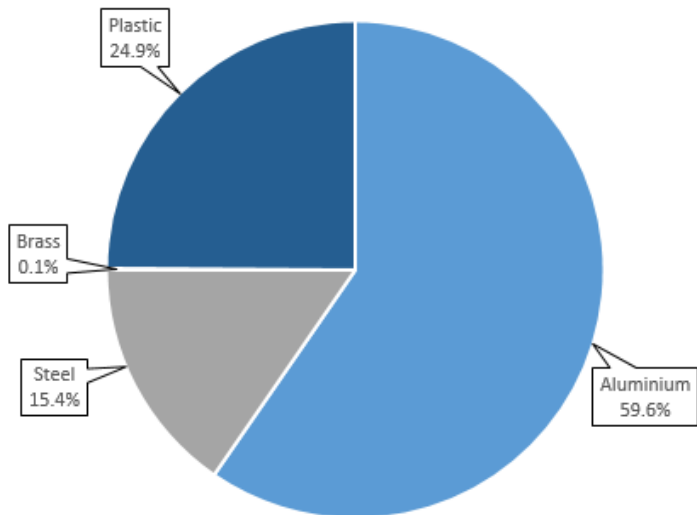
N/A

ENVIRONMENTAL

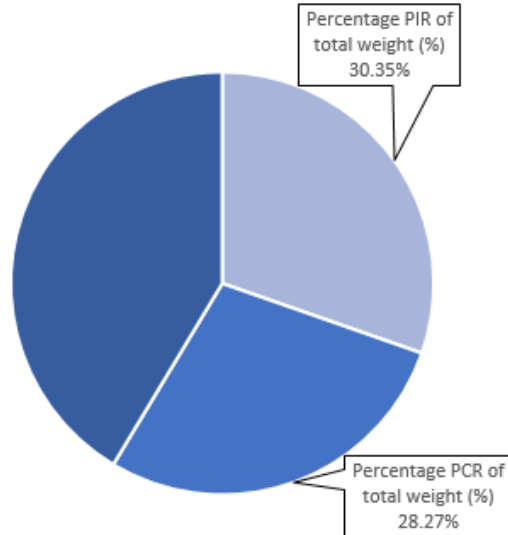
Material Make-up			Total Recycled Content	Breakdown of Recycled Content		Total Recyclable	
Overall Product			Overall Product			Overall Product	
Material type	Total Material type weight (g)	Percentage of Total Product Weight (%)	Material-Type Recycled Content (%)	Percentage PIR of total weight (%)	Percentage PCR of total weight (%)	Total Product Recyclable (g)	Total Product Recyclable (%)
Aluminium	1152.8	59.6%	56.62%	30.01%	26.61%	1152.8	59.6%
Steel	297.7	15.4%	2.00%	0.34%	1.66%	297.7	15.4%
Brass	2.0	0.1%	0.00%	0.00%	0.00%	2.0	0.1%
Plastic	481.5	24.9%	0.00%	0.00%	0.00%	481.5	24.9%
Total	1934.0	100.0%	58.62%	30.35%	28.27%	1934.0	100.0%

PIR = Post Industrial Recycled
 PCR = Post Consumer Recycled

Total Product Weight (%)



Total Product Recycled Content (%)



CLEANING, STORAGE & MAINTENANCE

Routine servicing

Periodic inspection

Service components

Available to order

Cleaning & Maintenance

Damp cloth, no abrasives, no solvents to be used on the cosmetic surfaces

Handling & Storage

Do not drop or expose to moisture

While every effort is made to ensure the accuracy of our technical information, Colebrook Bosson Saunders (Products) Ltd accept no liability for the accuracy of the information contained in this document and reserve the right to modify the specifications or data contained herein without prior notification.

