

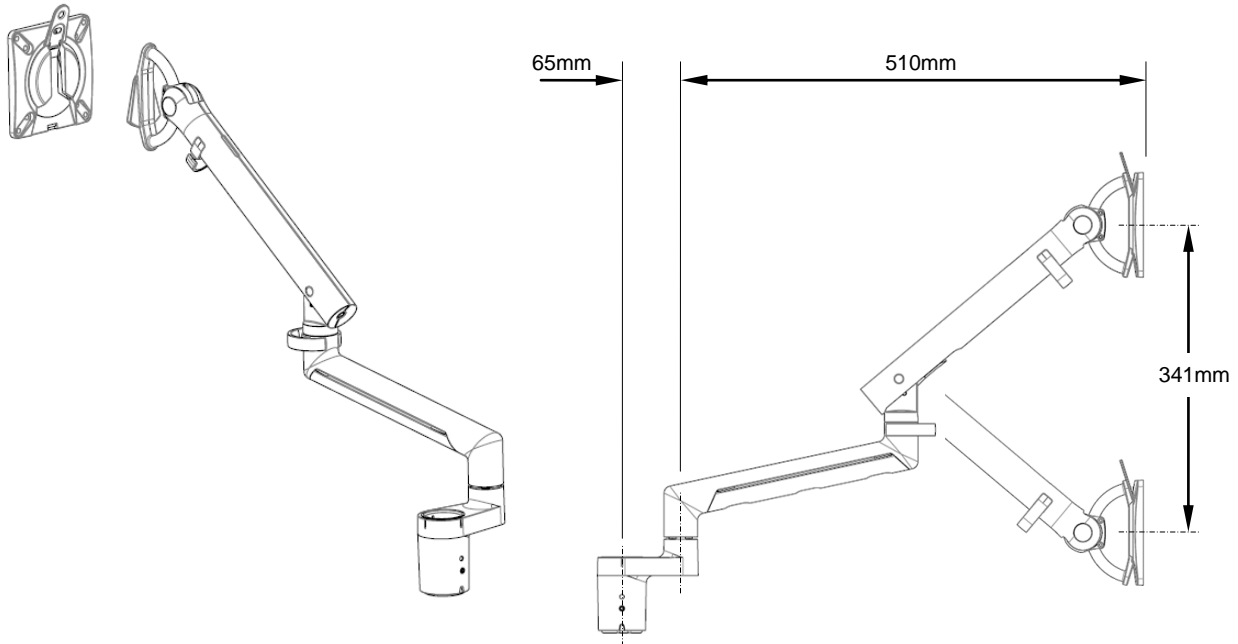


TECHNICAL SPECIFICATION SHEET

PRODUCT NAME: Flo Modular Monitor Arm

PRODUCT CODE: DYN/013/007

Doc Rev2. 20.01.15. KO



KEY FEATURES

- Can mount to WSH post system, extending the versatility of the Flo family.
- Can easily expand to single, dual and triple screen configurations.
- Smooth dynamic movement through patented Flo Spring Technology.
- Visual indicator gauge for easy replication of weight setting when installing multiple arms.
- Integrated three-point cable management system.
- Minimal environmental impact.

| | |
|--------------------------|------------------------------------|
| Product Classification | Monitor Arms |
| Max load | 9kg (19.8lbs) |
| Min load | 3kg (6.6lbs) |
| Horizontal range | 510mm |
| Vertical motion range | 341mm |
| Monitor tilt range | 45° upward tilt, 45° downward tilt |
| Build level | #A |
| Recycled content | 28% |
| Total product recyclable | 100% |

LOGISTICAL

| | |
|--------------------------|---|
| Box contains | Flo Monitor arm with post-mount component, VESA fixing screws, allen keys, 90° stop 'disable' washer. |
| Product net weight: | 2.3 kg |
| Box dims (HxWxD) | 460 x 290 x 67 mm |
| Box gross weight | 2.7 kg |
| Carton quantity | 6 |
| Master dims (HxWxD) | 600 x 480 x 225 mm |
| Master weight | 17.14 kg |
| Country of origin | China |
| Country of configuration | UK |

ORDERING INFORMATION

| <u>Colour</u> | <u>Product code</u> | <u>EAN</u> |
|---------------|---------------------|---------------|
| White | N/A | N/A |
| Silver | DYN/013/007/S | 5060270823889 |
| Black | DYN/013/007/B | 5060270823896 |

WARRANTY

| | |
|---------------|------------------|
| Warranty Term | Limited lifetime |
|---------------|------------------|

COMPLIANCE & SAFETY CERTIFICATION

Whilst no mandatory standards apply to the monitor arm product sector, all Colebrook Bosson Saunders monitor arms have been designed with appropriate articulation features, dimensional range and adjustability to conform to the requirements of BS EN ISO 9241:5 1999 Ergonomic requirements for office work with visual display terminals (VDTs).

| | |
|---------------------------|---|
| Conformance certification | BS EN ISO 9241:5 1999 Ergonomic Requirements for office work with visual display terminals (VDTs). FIRA certificate of conformance pending. |
| Test authority | CBS |
| Safety certification | N/A |
| CE EN Refs | N/A |

INTERNAL TEST MEASURES

Flo Modular has been subject to the following in-house test procedures:

Vertical movement: 13,100 cycles of movement.

Tilt action: 3,000 cycles of movement.

All tests performed with a mounted load of 9kg.

ENVIRONMENTAL

| Material type | Material type | % PIR of total weight | % PCR of total weight | % of total product recyclable |
|---------------|---------------|-----------------------|-----------------------|-------------------------------|
| Weight | | | | |
| Aluminium | 1149g | 9.9% | 19.7% | 49% |
| Plastic | 415g | 0.9% | 0.9% | 18% |
| Steel | 588g | 0% | 6.3% | 25% |
| Zinc | 178g | 0% | 1.1% | 7.8% |
| Brass | 3g | 0% | 0.02% | 0.2% |
| Total | 2333g | 10.8% | 28% | 100% |

CLEANING, STORAGE & MAINTENANCE

| | |
|------------------------|---|
| Routine servicing | Periodic inspection |
| Service components | Available to order |
| Cleaning & Maintenance | Damp cloth, no abrasives, no solvents to be used on the cosmetic surfaces |
| Handling & Storage | Do not drop or expose to moisture |

Colebrook Bosson Saunders (Products) Ltd accept no liability for the accuracy of the information contained herein and retain the right to modify the specifications or data contained herein without prior notification.