



The ESSENS programme of versatile tables that comprises five types of 100% recyclable polyethylene bases for composing tables in an endless variety of formats. The bases are available in five sizes and in a wide variety of standard colours.

They can optionally be finished in all the colours of the RAL cart, in both gloss and matt. The table tops are produced in an extensive range of materials and formats. It is possible to configure tables in a single piece or others by sections in innumerable sizes.

**DESIGNER: Jonathan Prestwich**



After finishing University in 1995 with a degree in industrial design, Jonathan left England to work in a design studio in Boston Massachusetts. During this two year period working on lighting and seating, Jonathan gained valuable experience and developed an excitement for the design process. Jonathan went from the US to France, working for the next six years with Burkhard Vogtherr. Initially this was intended to be a short experience but the more Jonathan and Burkhard worked together the more the working relationship bonded. In 2003 Jonathan moved to London where after briefly working with Barber Osgerby set up his own studio in 2004. Working with other designers had given great experience not only in how a product comes together but also in knowing what makes a product a good product. Jonathan has brought this experience together with a desire to make products for the next generation of users, fusing Influences from nature and modern technology, with a goal to create simple, elegant, innovative products.

**BASES**

They are produced in 100% recyclable polyethylene.

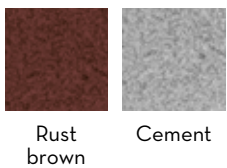
**Standard finishes:**

Black, anthracite, white, sand, grey, All of them in matt.



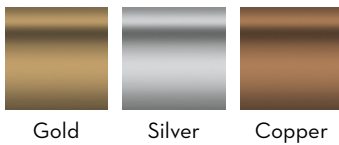
**Composed finishes:**

Rust brown, cement. All of them in matt.



**Metallic finishes:**

Gold, silver, copper.



**Optional finishes:**

The bases are painted with matt epoxy paint and optionally in glossy. Standard colors BOO black and WO1 white are also available in gloss paint.



Optionally they can be painted in any color by applying a 15% increase on the price of matte paint.



**COUNTERWEIGHT**

To avoid the economic and environmental cost of transporting basic materials (gravel or sand), the ESSENS bases are supplied without filling counterweight as standard.

The counterweight may be gravel or non-wet sand. These basic materials and can be easily acquired at any nearby store at destination. We do not recommend to fill the bases with liquid or wet products.

Optionally, at the request of the client, INCLASS can supply the bases filled with the counterweight (marble gravel) corresponding to each base size.

The recommended counterweights for the differen bases are the following:

- Round base 380:** 25kg
- Round base 380 height 108:** 25kg
- Round base 500:** 50kg
- Round base 650:** 75kg
- Oval base:** 40kg (per base)

	Height	Width	Depth	Weight (kg)	Recommended counterweights (kg)	Maximum table top
 <p>ES10010BA</p>	72	48	48	5,2	25	 
 <p>ES10040BA</p>	108,5	48	48	6,8	25	 
 <p>ES10020BA</p>	72	62,3	62,3	10,4	50	 
 <p>ES10050BA</p>	72	77	77	13	75	 
 <p>ES10030BA</p>	72	40	70	6,1	40	Without limit



TABLE TOPS MEASURES

	Oak	Lacquered black/white	HPL bl/wh	HPL black FENIX	HPL with MDF	White marble Carrara	Black marble Marquina
	60cm	—	—	—	—	—	—
	70cm	—	—	—	—	—	—
	80cm	—	—	—	—	—	—
	90cm	—	—	—	—	—	—
	100cm	—	—	—	—	—	—
	120cm	—	—	—	—	—	—
	140cm	—	—	—	—	—	—
	160cm	—	—	—	—	—	—
	180cm	—	—	—	—	—	—
	200cm	—	—	—	—	—	—
	60x60cm	—	—	—	—	—	—
	70x70cm	—	—	—	—	—	—
	80x80cm	—	—	—	—	—	—
	90x90cm	—	—	—	—	—	—
	100x100cm	—	—	—	—	—	—
	120x120cm	—	—	—	—	—	—
	140x140cm	—	—	—	—	—	—
	160x160cm	—	—	—	—	—	—
	200x100cm	—	—	—	—	—	—
	220x120cm	—	—	—	—	—	—
	240x120cm	—	—	—	—	—	—
	260x120cm	—	—	—	—	—	—
	280x140cm	—	—	—	—	—	—
	300x140cm	—	—	—	—	—	—
	400x140cm	—	—	—	—	—	—
	500x140cm	—	—	—	—	—	—
	600x140cm	—	—	—	—	—	—
	700x140cm	—	—	—	—	—	—
	800x140cm	—	—	—	—	—	—

**TABLE TOPS FINISHES**

**Table tops in lacquered MDF:**

They are produced as a 22mm MDF board, coated with eco-friendly lacquers in a triple-coat process. All edges are bevelled. They are suitable for indoor use.



**Table tops in oak veneer:**

They are produced as a 22mm MDF board veneered in natural oak. All edges are bevelled. They are suitable for indoor use.



**HPL with laminated MDF:**

Laminated HPL panel, 100 in the top and bottom part. Interior of 22mm MDF. All edges are bevelled and finished with eco-friendly lacquers. HPL tops can have variations of  $\pm 1,5$ cm.



**Table tops in standard HPL:**

They are produced as a 12mm solid HPL board. They are suitable for indoor and outdoor use. HPL tops can have variations of  $\pm 1,5$ cm.



**Table tops in FENIX NTM HPL:**

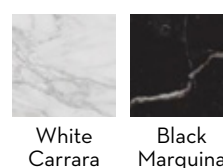
They are produced as a 12mm solid FENIX NTM HPL board. The tops made from FENIX NTM, have a surface with low light reflectance. They are extremely opaque, are pleasantly silky to the touch, are fingerprint-resistant and, thanks to the nanoparticle technology with which they are produced, any micro-scratches are thermally self-healing.



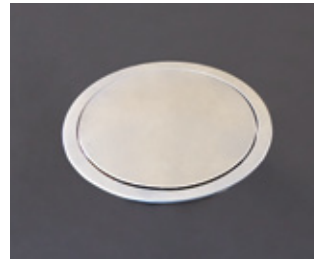
**Table tops in marble:**

Produced to order from 20mm polished natural marble in the varieties BLACK MARQUINA and WHITE CARRARA. Other varieties of marble can also be quoted for projects.

IMPORTANT: Nos plateaux en marbre sont fournis en standard avec un traitement d'étanchéité, mais le marbre est un matériel poreux. Même après avoir été scellé, des renversements de certaines substances peuvent laisser des tâches sur la surface du marbre. Pour que le marbre conserve son aspect extraordinaire, des précautions, des soins et un entretien sont nécessaires



## POWER DISTRIBUTION ACCESSORIES



1

2

3

4



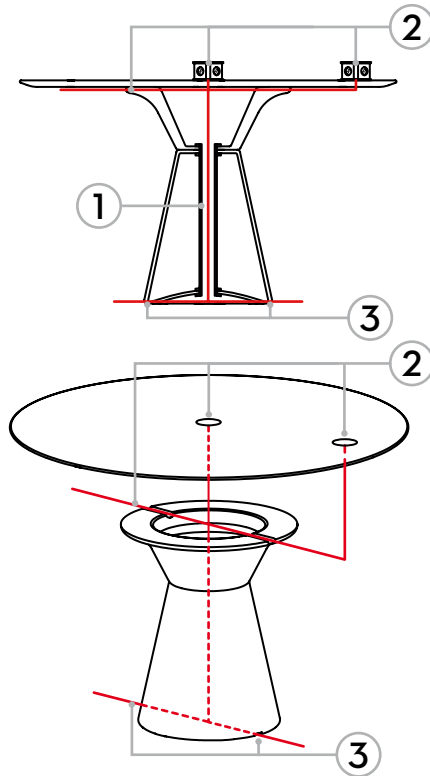
6

1. Wireless charger
2. Double USB charger
3. Connecting tower unit with 4 Schuko plugs. The unit is recessed neatly in the surface of the furniture when not in use. Simply touch to raise out of the work surface.
4. Grommet cover matt chrome
5. Schuko socket + USB charger
6. Built-in connection box with turning mechanism 180°. The box rotates to expose or conceal the outlets at a touch of a button. Especially suited for both sided access. Available in silver colour. 2 Schuko plugs + 2 USB charging plugs.

For other types of connections or configurations please contact our customer department.

**WIRE MANAGEMENT**

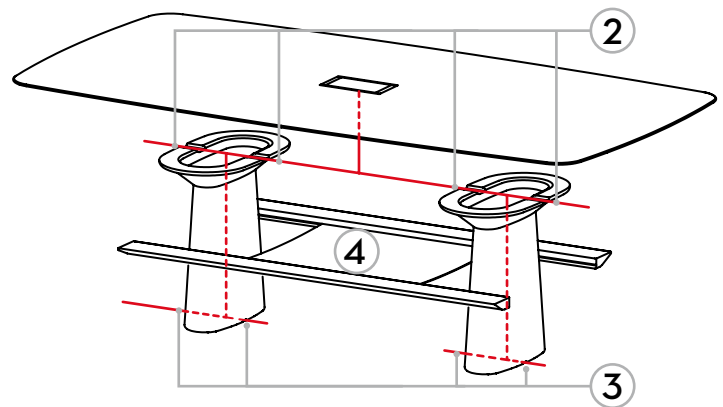
**Round & square tables**



**Oval & rectangular tables**



4



1. The inside of the bases can optionally be fitted with a cable management tube that allows the cables to be run from the table top to the floor through the base interior to fully conceal them.

2. The cables can be run through the base, both from the centre and from the sides.

3. The bases are equipped with cable outlets at floor level both from the centre and through the sides.

4. To adapt for today's new ways of working with laptops, tablets and mobile devices, the conference tables can have a net underneath the top for organizing adapters and cables.

**CERTIFICATION & STANDARDS**

- AIDIMA Quality Control Label



- The quality management system of INCLASS is certified in accordance with ISO 9001:2015 in all the design, manufacturing and sales procedures of its products.  
 - INCLASS production processes are certified according to environmental ISO 14001:2015 quality standards and are carried out through the reduction of waste and energy consumption in order to minimise any impact on the environment.

**WARRANTY**

CRESTLINE / INCLASS MOBLES S.L. guarantees the products from the ESSENS collection against defective materials and workmanship for a period of 5 years from the purchase date. Any damage caused by misuse, negligence or accident as well as that arising from inadequate product maintenance is excluded from this warranty. Natural ageing and wear-and-tear of surface materials are also excluded. The establishment must demonstrate the date of purchase of the article with the corresponding invoice.

INCLASS will replace or repair any faulty products or parts free of charge and any further liability is excluded.